



PRODUCT SHEET

Co Dining Chair

by Norm Architects & Els Van Hoorebeek

Co Dining Chair

BY NORM ARCHITECTS & ELS VAN HOOREBEECK

Chair with black powder coated or chromed steel base with curved wood veneer seat, backrest and armrest in natural, dark stained or black oak. Available with or without upholstery seat and with or without armrest.



PRODUCT OPTIONS

BACKREST AND ARMREST



NATURAL OAK

DARK STAINED OAK

BLACK OAK

SEAT



WITHOUT UPHOLSTERY

WITH UPHOLSTERY

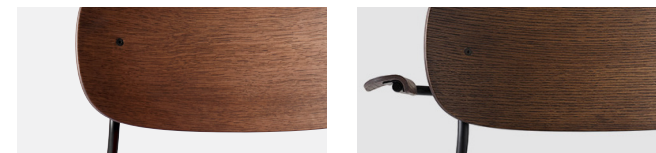
STEEL BASE



BLACK POWDER COATED STEEL

CHROMED STEEL

WITH OR WITHOUT ARMREST



WITHOUT ARMREST

WITH ARMREST

SPEC OPTIONS

Available in fabrics from our upholstery programme. Standard lead times apply. Custom upholstery available upon request. For further information please refer to MENU upholstery programme.

Co Dining Chair w/Armrest, Black Steel / Natural Oak, by Norm Architects & Els Van Hoorebeek
Co Dining Chair w/Armrest, Black Steel/Dark Stained Oak / Dakar 0842, by Norm Architects & Els Van Hoorebeek

Co Dining Chair

BY NORM ARCHITECTS & ELS VAN HOOREBEECK

TECHNICAL SPECIFICATIONS

PRODUCT TYPE

Dining chair

COLLI

1

ENVIRONMENT

Indoor

DIMENSIONS

Without armrest

H: 80 cm / 31,5"
SH: 45 cm / 17,7"
D: 50,5 cm / 19,9"
W: 52 cm / 20,5"

With armrest

H: 80 cm / 31,5"
AH: 68 cm / 26,8"
SH: 45 cm / 17,7"
D: 50,5 cm / 19,9"
W: 62 cm / 24,4"

PRODUCTION PROCESS

Seat, backrest and armrests are made of curved plywood. Shell is CNC-milled in a 5-axis CNC machine. The core is made of beech veneer with an outer layer of oak veneer. Double layer foam is used on upholstered seats for added comfort. The base is made of bent, MIG+TIG-welded steel tubes and armrests from steel rods. The base and armrest are powder coated or chromed.

COLOUR

Seat without upholstery

Black (RAL 9005) / Natural oak
Black (RAL 9005) / Dark stained oak
Black (RAL 9005) / Black oak
Chrome / Natural oak
Chrome / Dark stained oak
Chrome / Black oak

Seat with upholstery

Dependent upon selected upholstery.

GLOSS

Gloss 10-20

MATERIALS

Seat, backrest and armrest

Natural oak veneer with matte lacquer; dark stained oak; wax stained or black painted oak; beech core.

Seat with upholstery

Beech plywood, CAL117 foam (20mm 45N / 40 kg and 10mm 32N / 40 kg), upholstery.

Base

Powder coated or chromed steel

WEIGHT

Without armrest: 8 kg / 17,6 lb
Without armrest, with upholstery: 8,5 kg / 18,7 lb
With armrest: 12 kg / 26,5 lb
With armrest, with upholstery: 12,5 kg / 27,5 lb

TEST

EN1022:2005, L2
EN16139:2013, L2

CERTIFICATIONS

Veneered variants: VKF classification (BKZ): 5.3 / RF2
Crafted from FSC certified veneer

PACKAGING TYPE

Brown box

PACKAGING MEASUREMENTS (H x W x D)

Without armrest

86 cm x 53 cm x 58 cm / 33,9" x 20,9" x 22,8"

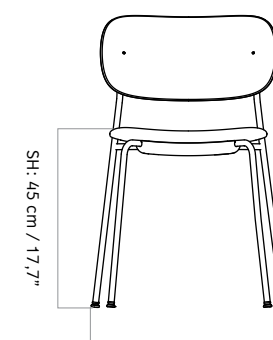
With armrest

86 cm x 67 cm x 58 cm / 33,9" x 26,4" x 22,8"

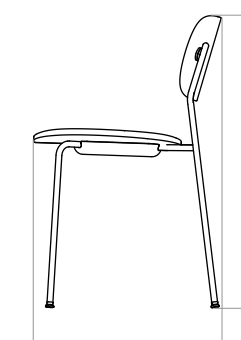
MATERIALS & MAINTENANCE

Please visit [menuspace.com](https://www.menuspace.com) for materials and care and maintenance instruction

CO DINING CHAIR, WITHOUT ARMREST

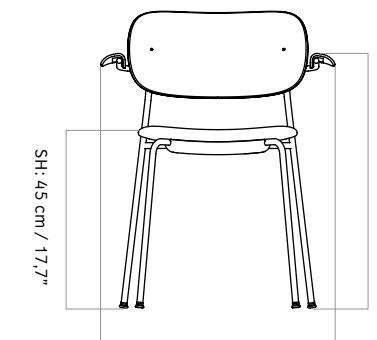


W: 52 cm / 20,5"

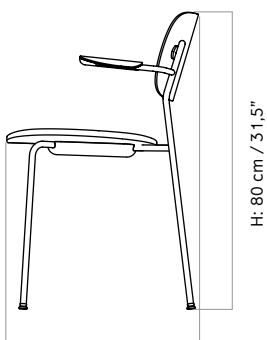


D: 50,5 cm / 19,9"

CO DINING CHAIR, WITH ARMREST



W: 62 cm / 24,4"



D: 50,5 cm / 19,9"

Co Dining Chair Trolley

BY NORM ARCHITECTS & ELS VAN HOOREBEECK

PRODUCT OPTIONS

Black steel trolley with 360-degree swivel casters and foot brake. The Co Dining Chair Trolley makes it easy to transport up to 20 Co Dining Chairs.



TECHNICAL SPECIFICATIONS

PRODUCT TYPE
Trolley

COLOUR
Black (RAL 9005)

CERTIFICATIONS
N / A

COLLI
1

GLOSS
Gloss 10-20

PACKAGING TYPE
Brown box

ENVIRONMENT
Indoor

MATERIALS
Powder coated steel

PACKAGING MEASUREMENT (H x W x D)
77 cm x 73 cm x 61,5 cm / 30,3" x 28,7" x 24,2"

DIMENSIONS
H: 60 cm / 23,6"
W: 72 cm / 28,3"
D: 76,5 cm / 30,1"

WEIGHT
13,2 kg / 29,1 lb

MATERIALS & MAINTENANCE
Please visit [menuspace.com](https://www.menuspace.com) for materials and care and maintenance instruction

PRODUCTION PROCESS
N / A

TEST
N / A