



PRODUCT SHEET

Co Chair, Fully Upholstered
by Norm Architects & Els Van Hoorebeeck

Co Dining Chair, Fully Upholstered

BY NORM ARCHITECTS & ELS VAN HOOREBEECK

The Co Dining Chair Collection pairs a lightweight, sleek profile with great seating comfort. Available with or without armrests in three wood versions, the versatile design of the fully upholstered Co Dining Chair is set on a black powder coated steel or chrome base. The seat and backrest are lightly padded and fully upholstered for extra comfort, customisable in a range of beautiful fabrics and leathers.



PRODUCT OPTIONS

ARMREST



NATURAL OAK

DARK STAINED OAK

BLACK OAK

STEEL BASE



BLACK POWDER COATED STEEL

CHROMED STEEL

WITH OR WITHOUT ARMREST



WITHOUT ARMREST

WITH ARMREST

SPEC OPTIONS

Available in fabrics from our upholstery programme. Standard lead times apply. Custom upholstery available upon request. For further information please refer to MENU upholstery programme.

Co Dining Chair, Fully Uph, Black Steel / Lupo Sand T19028/004, by Norm Architects & Els Van Hoorebeeck
Co Dining Chair, Fully Uph, Chrome / Ritz 1644, by Norm Architects & Els Van Hoorebeeck

Co Dining Chair, Fully Upholstered

BY NORM ARCHITECTS & ELS VAN HOOREBEECK

TECHNICAL SPECIFICATIONS

PRODUCT TYPE

Dining chair

COLLI

1

ENVIRONMENT

Indoor

DIMENSIONS

Without armrest

H: 80 cm / 31,5"
SH: 45 cm / 17,7"
D: 50,5 cm / 19,9"
W: 52 cm / 20,5"

With armrest

H: 80 cm / 31,5"
AH: 68 cm / 26,8"
SH: 45 cm / 17,7"
D: 50,5 cm / 19,9"
W: 62 cm / 24,4"

PRODUCTION PROCESS

Seat, backrest and armrests are made of curved plywood. Shell is CNC-milled in a 5-axis CNC machine. The core is made of beech veneer with an outer layer of oak veneer. Double layer foam is used on upholstered seat and backrest for added comfort.

The base is made of bent, MIG+TIG-welded 16 mm steel tube and armrests of 14 mm steel tube. The base and armrests are powder coated or chromed.

COLOUR

Armrest

Natural oak
Dark stained oak
Black oak

Seat and backrest with upholstery

Dependent upon selected upholstery

Base

Black (RAL 9005)
Chrome

GLOSS

Base

10-20 (black)

MATERIALS

Armrest

Natural oak veneer with matte lacquer, dark stained oak with wax or black painted oak and beech core.

Base

Powder coated or chromed steel

Seat and backrest with upholstery

Beech, curved plywood, CAL117 foam (20mm 45N / 40 kg and 10 mm 32N / 40 kg), upholstery.

WEIGHT

Without armrest: 5,8 kg / 12,8 lb
With armrest: 6,5 kg / 14,3 lb

TEST

EN1022:2005, L2
EN16139:2013, L2

CERTIFICATIONS

Crafted from FSC certified veneer

PACKAGING TYPE

Brown box

PACKAGING MEASUREMENTS (H x W x D)

Without armrest

86 cm x 53 cm x 58 cm / 33,9" x 20,9" x 22,8"

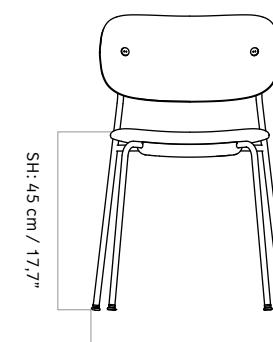
With armrest

86 cm x 67 cm x 58 cm / 33,9" x 26,4" x 22,8"

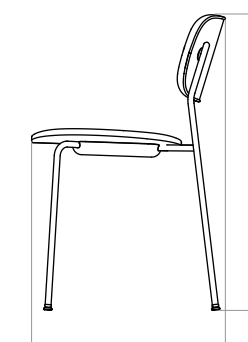
MATERIALS & MAINTENANCE

Please visit menuspace.com for materials and care and maintenance instructions.

CO DINING CHAIR, WITHOUT ARMREST

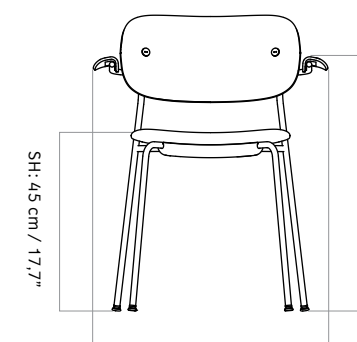


W: 52 cm / 20,5"

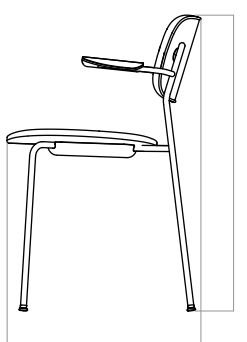


D: 50,5 cm / 19,9"

CO DINING CHAIR, WITH ARMREST



W: 62 cm / 24,4"



D: 50,5 cm / 19,9"

Co Dining Chair Trolley

BY NORM ARCHITECTS & ELS VAN HOOREBEECK

PRODUCT OPTIONS

Black steel trolley with 360-degree swivel casters and foot brake. The Co Dining Chair Trolley makes it easy to transport up to 20 Co Dining Chairs.



TECHNICAL SPECIFICATIONS

PRODUCT TYPE
Trolley

COLOUR
Black (RAL 9005)

CERTIFICATIONS
N / A

COLLI
1

GLOSS
Gloss 10-20

PACKAGING TYPE
Brown box

ENVIRONMENT
Indoor

MATERIALS
Powder coated steel

PACKAGING MEASUREMENT (H x W x D)
77 cm x 73 cm x 61,5 cm / 30,3" x 28,7" x 24,2"

DIMENSIONS
H: 60 cm / 23,6"
W: 72 cm / 28,3"
D: 76,5 cm / 76,5"

WEIGHT
13,2 kg / 29,1 lb

MATERIALS & MAINTENANCE
Please visit [menuspace.com](https://www.menuspace.com) for materials and care and maintenance instruction

PRODUCTION PROCESS
N / A

TEST
N / A